

DO NOT SCALE FROM THIS PRINT

DESIGNED & DIMENSIONED

IN MILLIMETERS[INCHES]

GRF1-P-P-XX-X-XX-XXX

GENDER
-P: PLUG

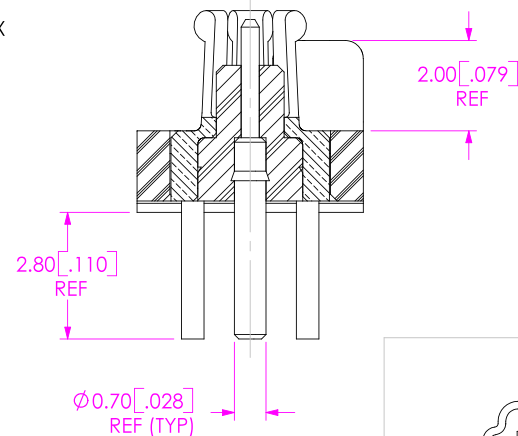
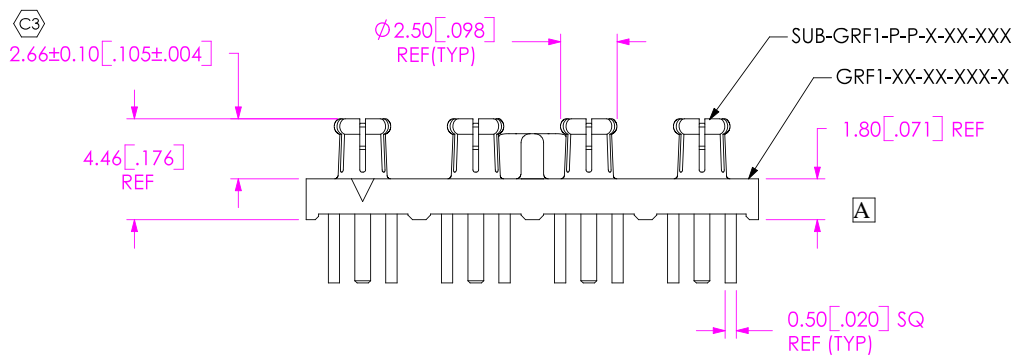
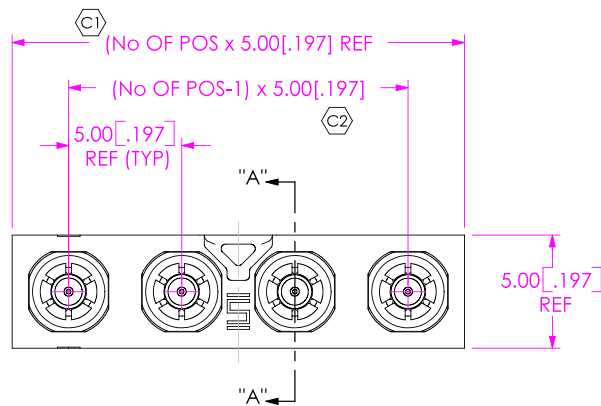
PCB
-P: PCB MOUNT

No OF POSITIONS
-02, -04, -06, -08

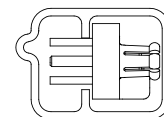
TERMINATION
-THT: THRU HOLE

ORIENTATION
-ST: STRAIGHT

PLATING
-E: 50U" GOLD ON CENTER CONDUCTOR
CONTACT AREA AND SOLDER TAIL.
3U" GOLD ON SHELL AND SHELL SOLDER TAILS



SECTION "A"- "A"
SCALE 6 : 1



PACKAGING VIEW
USE: PT-1-24-04-36-TP-24

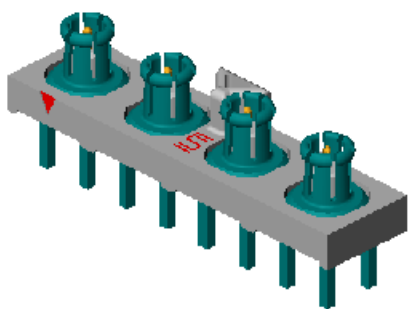
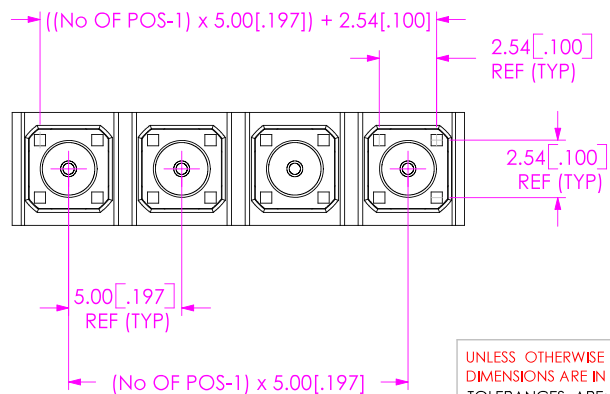


FIG. 1
GRF1-P-P-04-E-ST-TH1

NOTES:

1. © REPRESENTS A CRITICAL DIMENSION.
2. MINIMUM PUSHOUT FORCE: 2.22N[.5 LB].

UNLESS OTHERWISE SPECIFIED,
DIMENSIONS ARE IN MILLIMETERS.
TOLERANCES ARE:
DECIMALS ANGLES
.X: ±0.3 [.01] 2°
.XX: ±0.13 [.005]
.XXX: ±0.051 [.0020]

MATERIAL: DO NOT SCALE DRAWING
INSULATOR: LCP, COLOR: BLACK
SHELL: BRASS
PIN: BRASS
INSULATOR: TEFLON
C-RING: BeCu

PROPRIETARY NOTE

THIS DOCUMENT CONTAINS INFORMATION
CONFIDENTIAL AND PROPRIETARY TO
SAMTEC, INC. AND SHALL NOT BE REPRODUCED
OR TRANSFERRED TO OTHER DOCUMENTS OR
DISCLOSED TO OTHERS OR USED FOR ANY
PURPOSE OTHER THAN THAT WHICH IT WAS
OBTAINED WITHOUT THE EXPRESSED WRITTEN
CONSENT OF SAMTEC, INC.



SAMTEC

520 PARK EAST BLVD, NEW ALBANY, IN 47150
PHONE: 812.944.6733 FAX: 812.948.5047
e-Mail: INFO@SAMTEC.COM CODE: 55322

DESCRIPTION: GANGED RF PLUG CONNECTOR

DWG. NO. GRF1-P-P-XX-X-XX-XXX

BY: CHAD F 9/8/2004 SHEET 1 OF 1